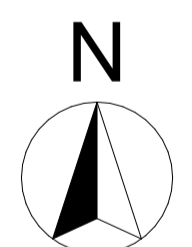


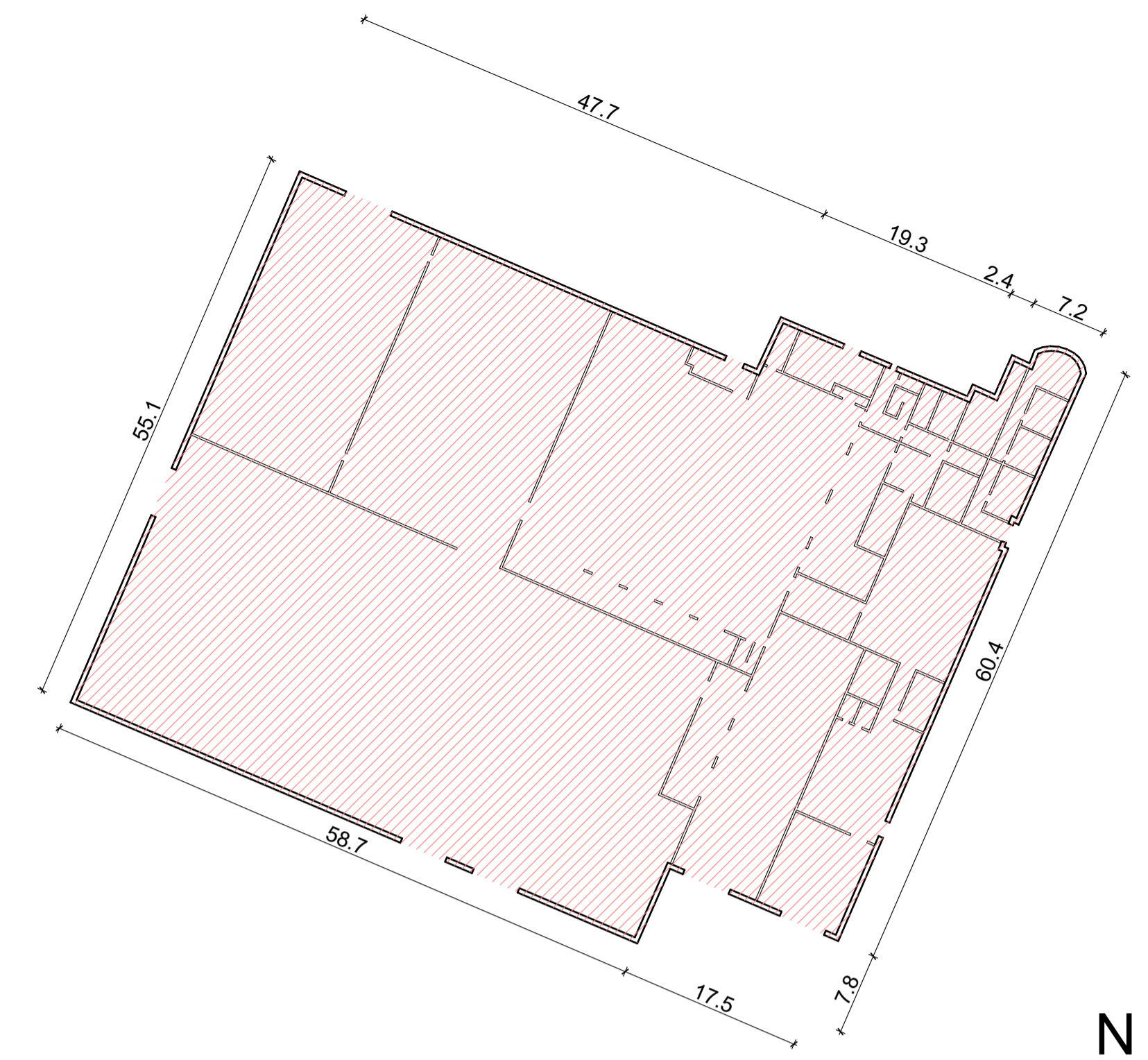


**Existing Site Layout**  
SCALE : 1:500

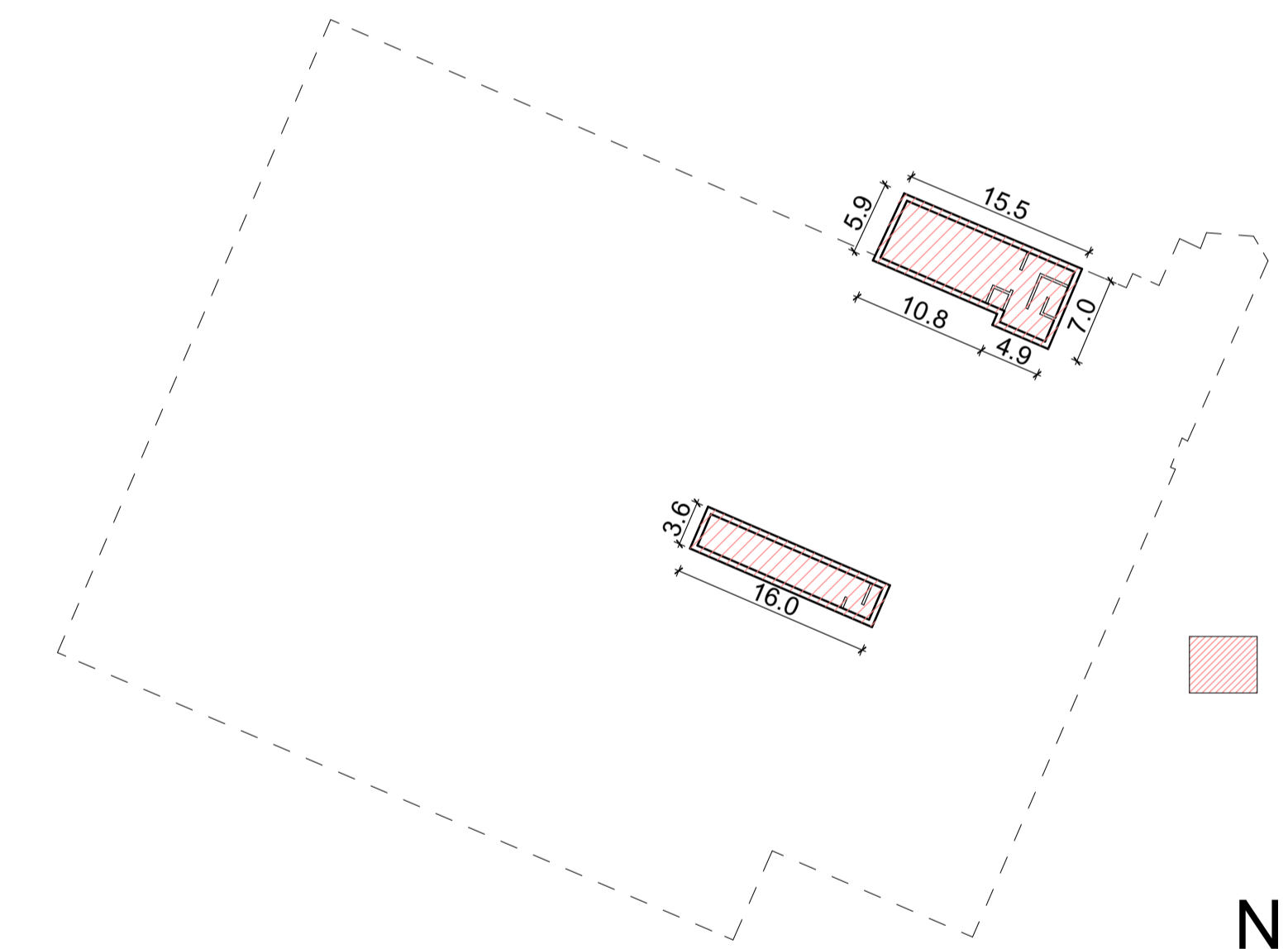
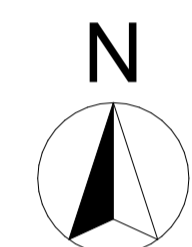


**LEGEND**

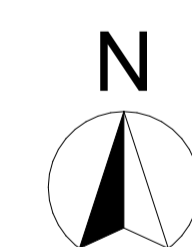
	SITE OUTLINE
	POSITION OF SITE NOTICE/S



**Existing Structure - Ground Floor Plan**  
SCALE : 1:500



**Existing Structure - First Floor Plan**  
SCALE : 1:500



TOTAL Demolition area:  
4196.8 m<sup>2</sup>



**North Elevation - Santry Ave**  
SCALE : 1:200



**East Elevation- Swords Rd**  
SCALE : 1:200